

Single Handle Kitchen Faucet
Model NO: GF-189S-CP
GF-189S-BN
GF-189S-ORB

INSTRUCTION

Tools:

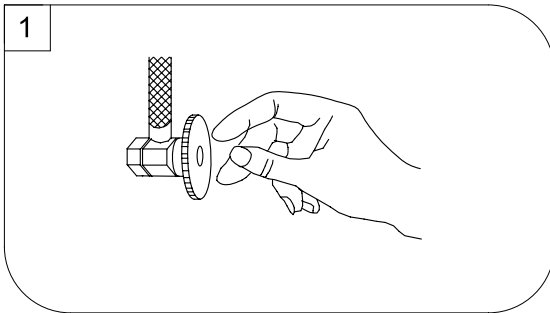
- Adjustable Wrench
- Pliers
- Pipe Wrench
- Screwdriver
- Teflon Tape



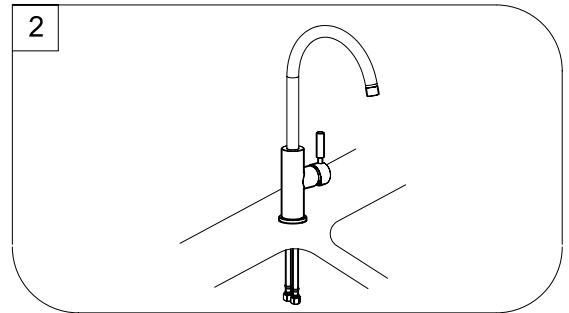
Maintenance:

Your new kitchen faucet is designed for years of trouble-free performance. Keep it looking new by cleaning it periodically with a soft cloth. Avoid abrasive cleaners, steel wool and harsh chemicals as these will dull the finish and void your warranty.

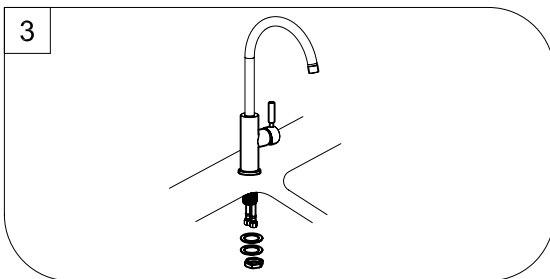
Preparation / Assembly



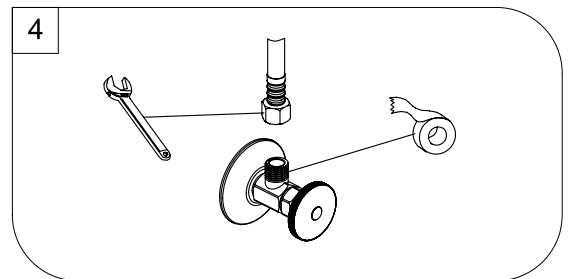
Shut off water supplies. Remove old faucet. Clean sink surface in preparation for the new faucet.



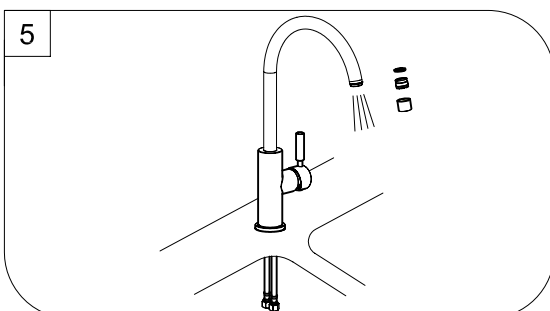
Place optional Flange at the bottom of the new faucet before positioning faucet through mounting hole.



Screw the mounting stud into the body. Secure the faucet to the sink by installing plastic washer, steel washer and nut onto it. Tighten with wrench.



Apply pipe tape onto threads of water supplies. Use wrench when tightening the hose connection, do not overtighten.



Important: After installation is completed. Turn on water supply and allow both hot and cold water to run for at least one minute each. While water is running, check for leaks. Reinstall Spray head. Your new faucet is now ready to use.